

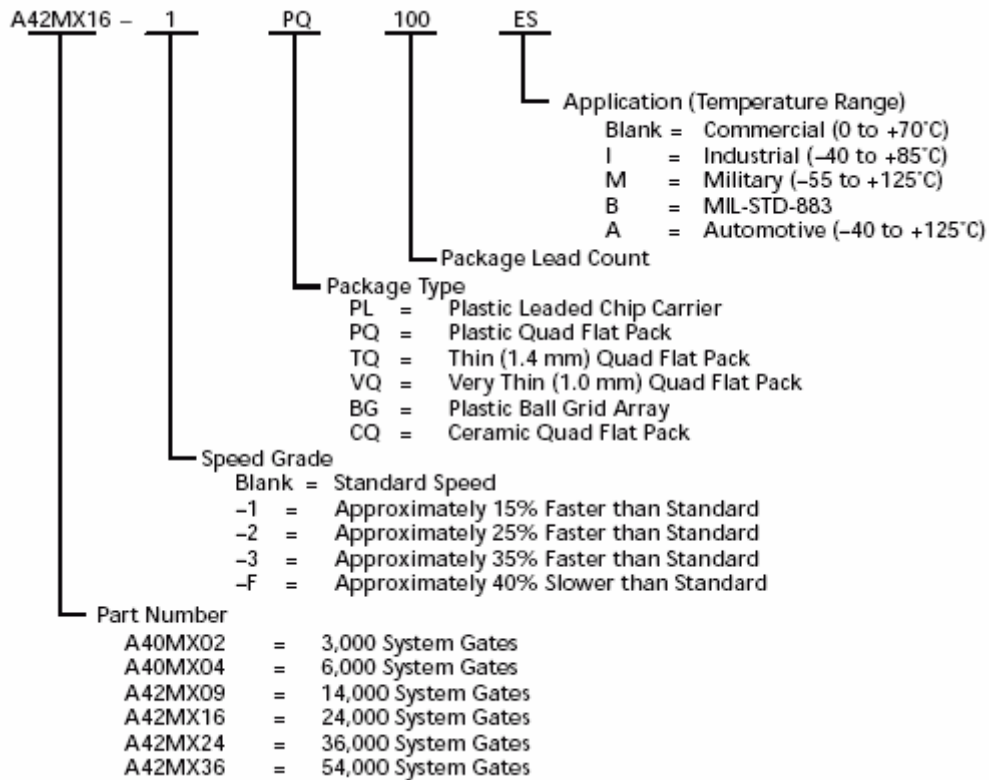
Плис фирмы АСТЕL типа FPGA

Семейство FPGA	Типы корпусов	Пример	
		Обозначение	Исполнение*
ProASIC3	QN	A3P030	C, I
	VQ	A3P060	C, I
	FG	A3P060	C, I
	TQ	A3P060	C, I
	PQ	A3P125	C, I
ProASICPLUS	TQFP	APA075	C, I
	PQFP	APA300	C, I, M, B
	PBGA	APA300	C, I, M, B
	FBGA	APA300	C, I
	CQFP	APA600	M, B
	CCGA	APA600	M, B
ProASIC	PQFP	A500K050	C, I
	FBGA	A500K130	C, I
	PBGA	A500K130	C, I
Axcelerator	CS	AX125	C, I
	PQ	AX250	C, I, M
	CQ	AX250	M, B
	CG	AX1000	M, B
	BG	AX1000	C, I, M
	FG	AX500	C, I, M
eX	TQFP	eX64	C, I, A
	CSP	eX64	C, I, A
SX/SX-A	PQFP	A54SX32A	C, I, A, M
	TQFP	A54SX32A	C, I, A, M
	PBGA	A54SX32A	C, I, A, M
	FBGA	A54SX32A	C, I, A, M
MX	PLCC	A40MX02	C, I, A, M
	PQFP	A42MX09	C, I, A, M
	VQFP	A42MX09	C, I, A, M
	TQFP	A42MX09	C, I, A, M
	CQFP	A42MX36	C, M, B
	PBGA	A42MX36	C, I, M
RTAX-S	CCGA	RTAX1000S	E, B
	CQFP	RTAX1000S	E, B
RTSX-S	CQFP	RT54SX72S	E, B
	CCGA	RT54SX72S	B, E
	CCLG	RT54SX32S	M
RTSX-SU	CQFP	RTSX72SU	E, B
	CCGA	RTSX72SU	B, E
	CCLG	RTSX32SU	M
SX-A	CQFP	A54SX32A	M, B
RH (Radiation- Hardened)	CQFP	RH1020	V

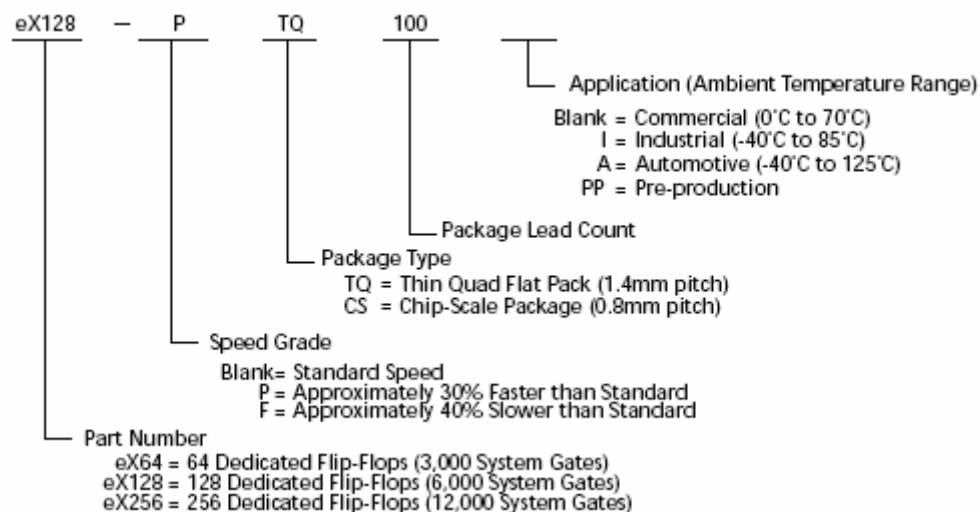
RT (RadTolerant)	CQFP	RT1020	C, M, B, E
HiRel	CPGA	A1425A	C, M, B, E
	CQFP	A1425A	C, M, B, E

Accelerator, eX, SX/SX-A, MX – **однократно** программируемые FPGA
RTAX-S, RTSX-S, RTSX-SU – для применения в космосе
RT – устойчивые к радиации

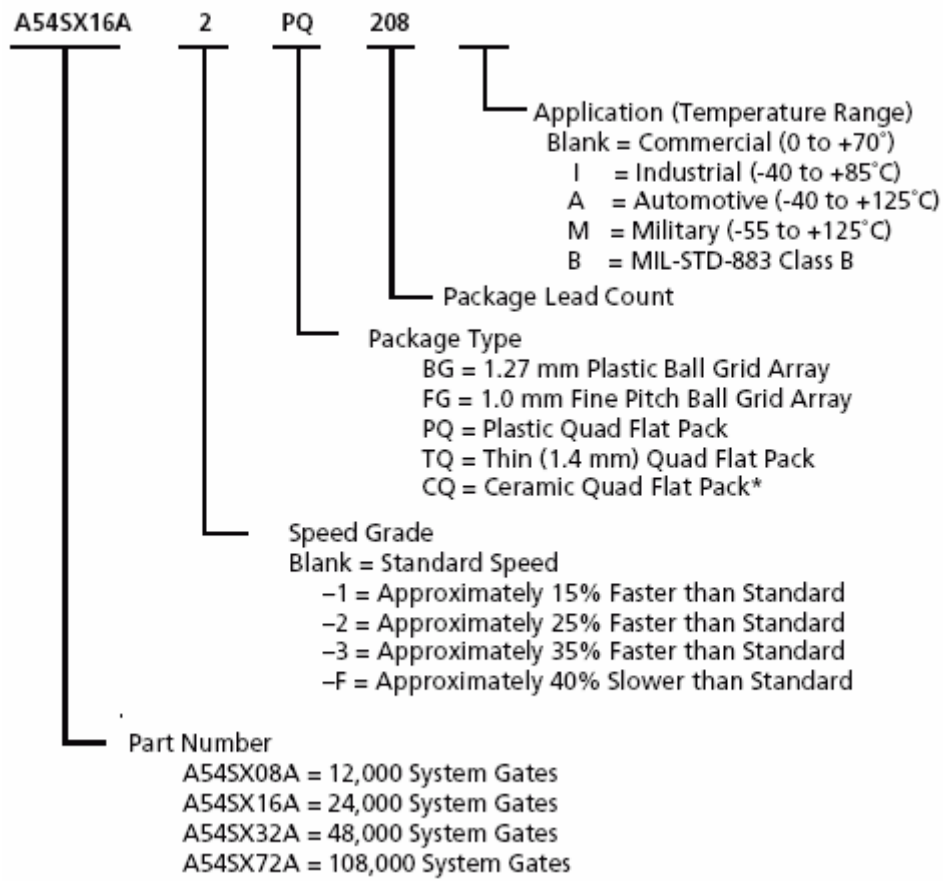
MX



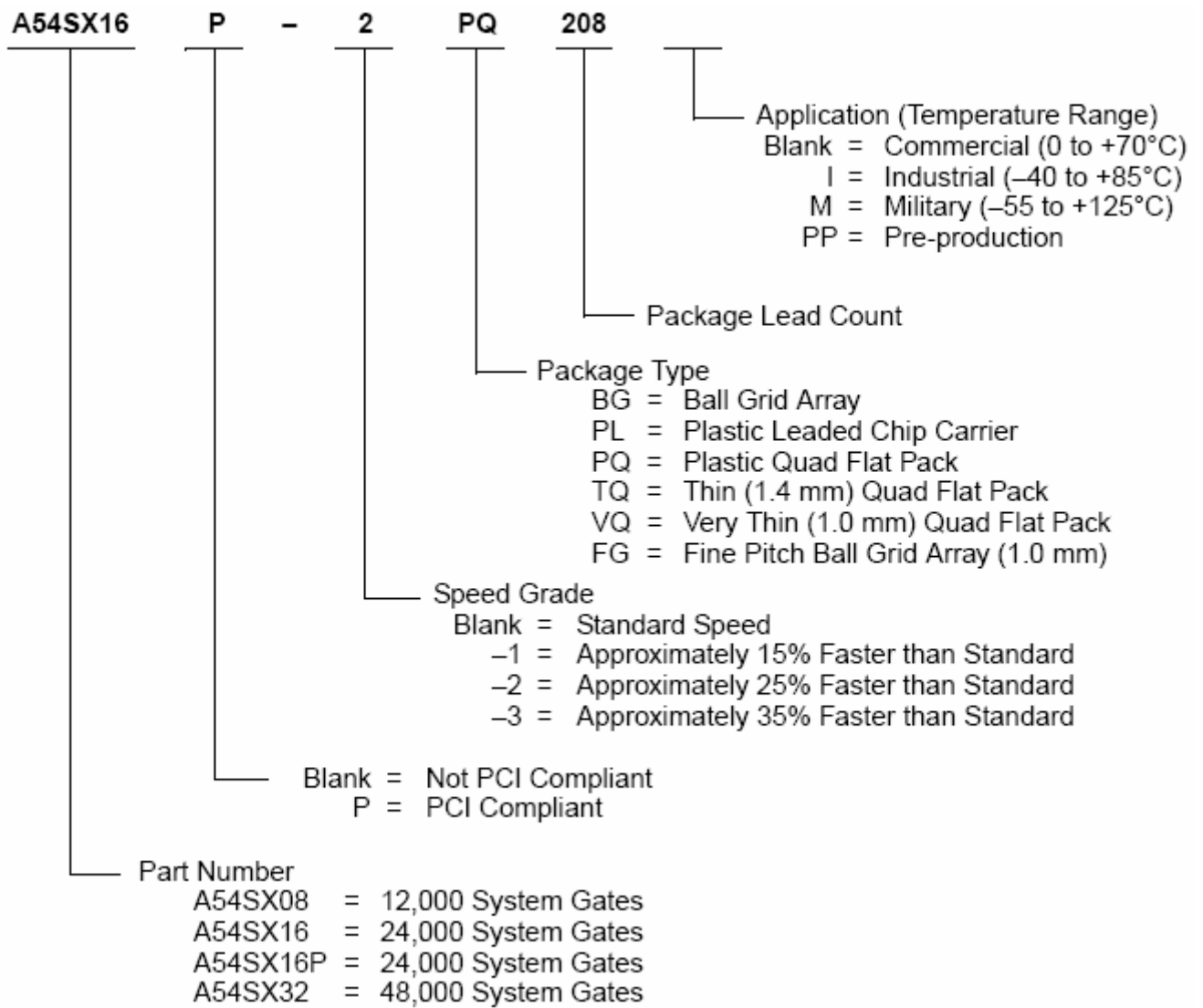
eX



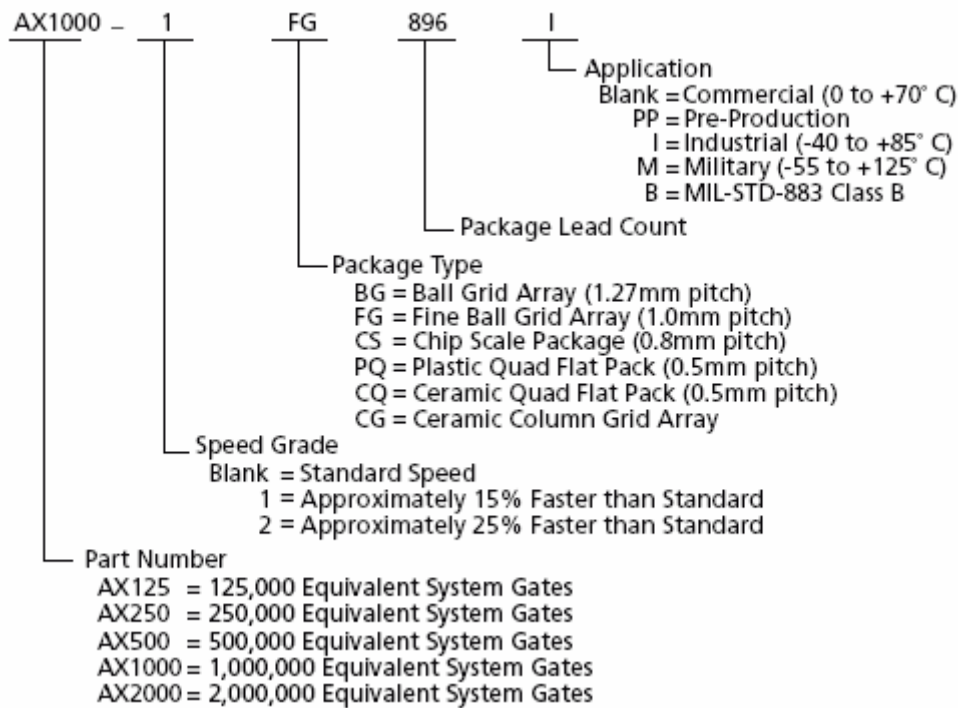
SXA



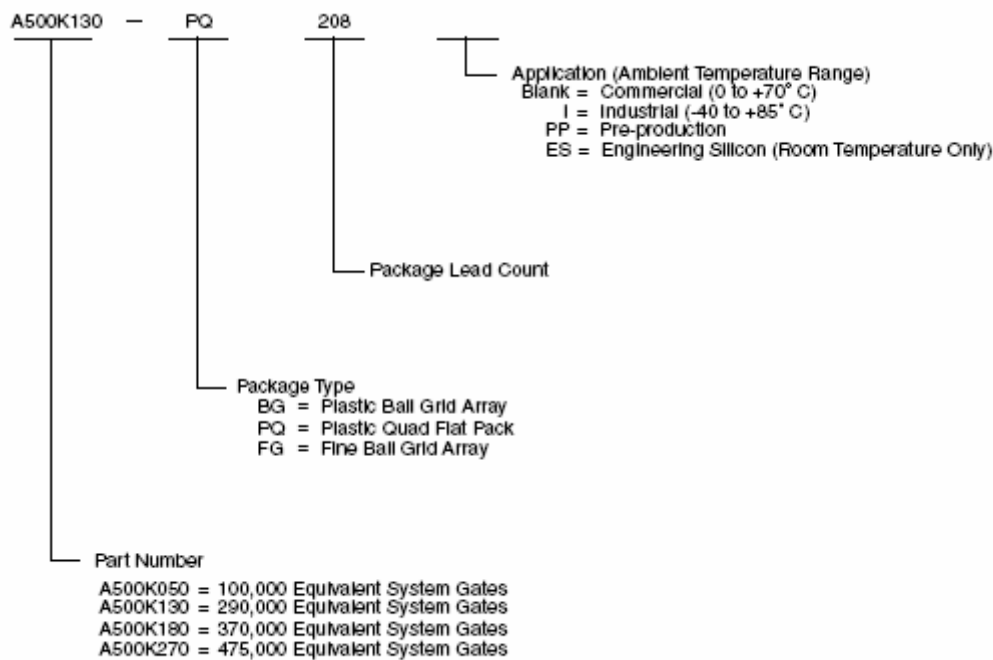
SX



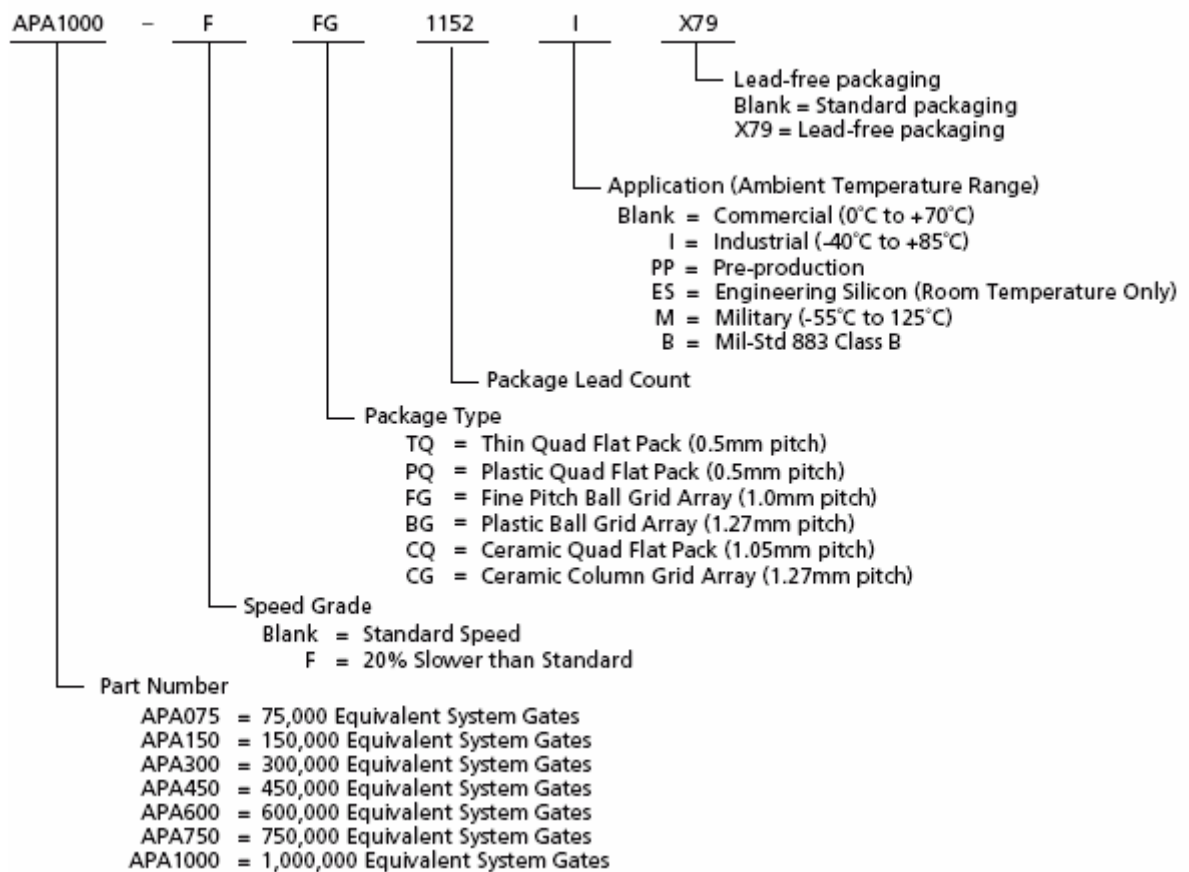
Accelerator



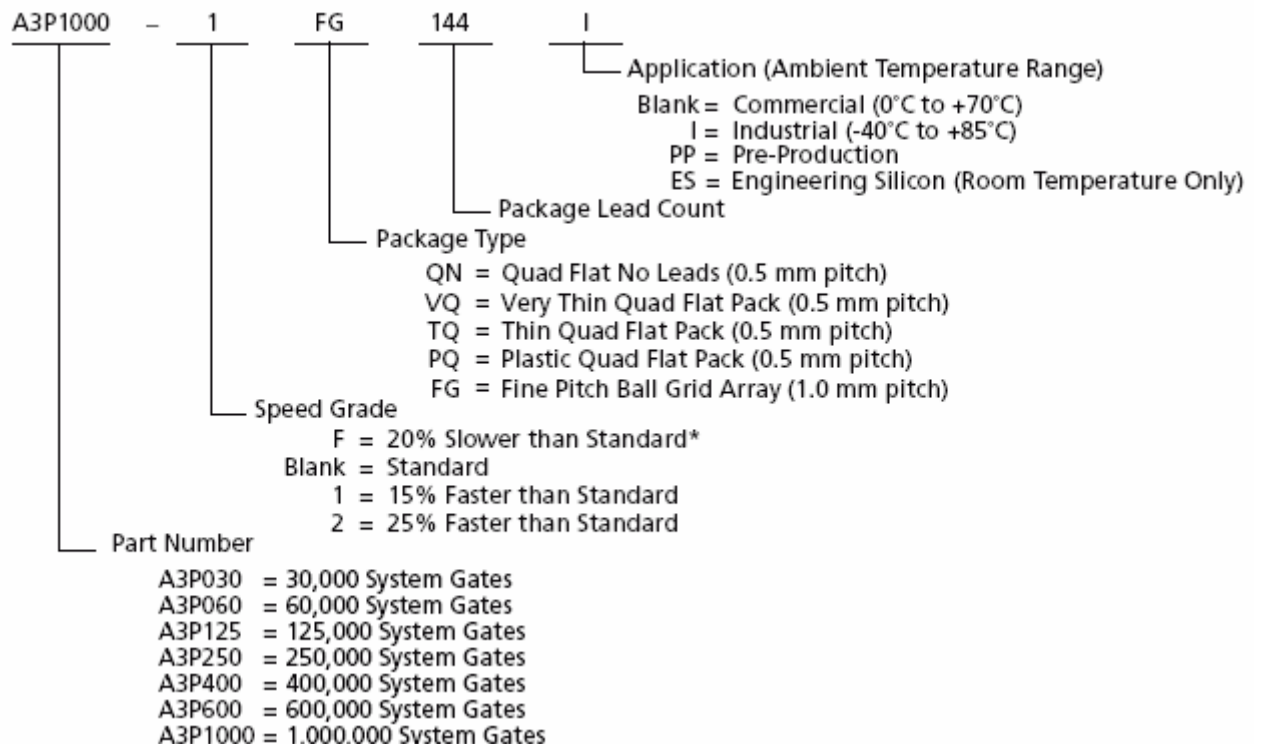
ProASIC



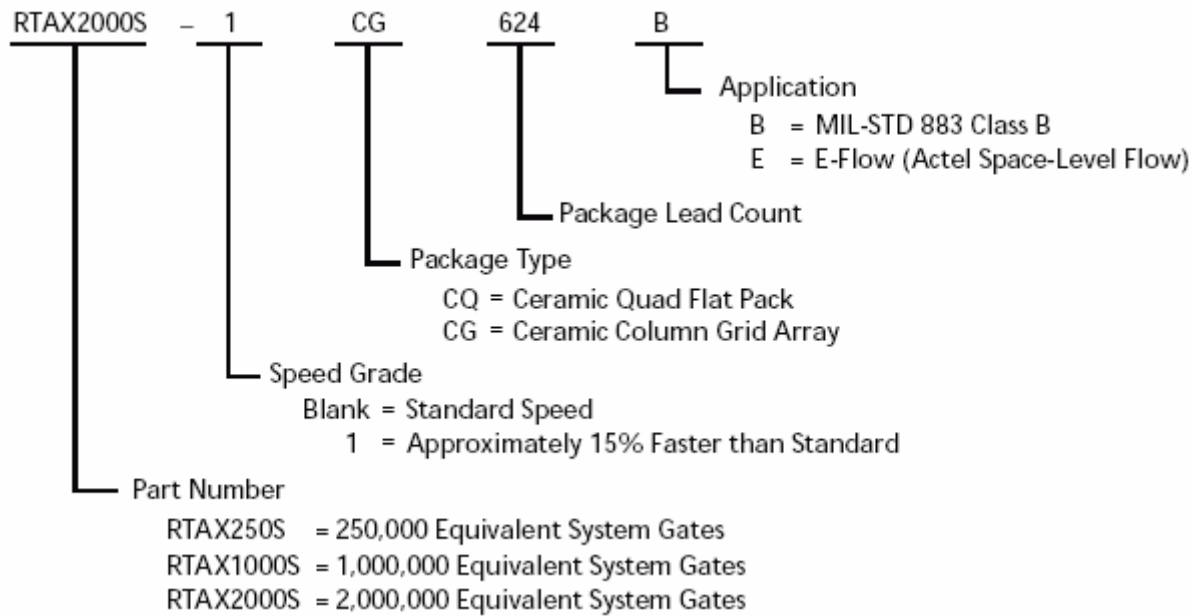
ProASICPLUS



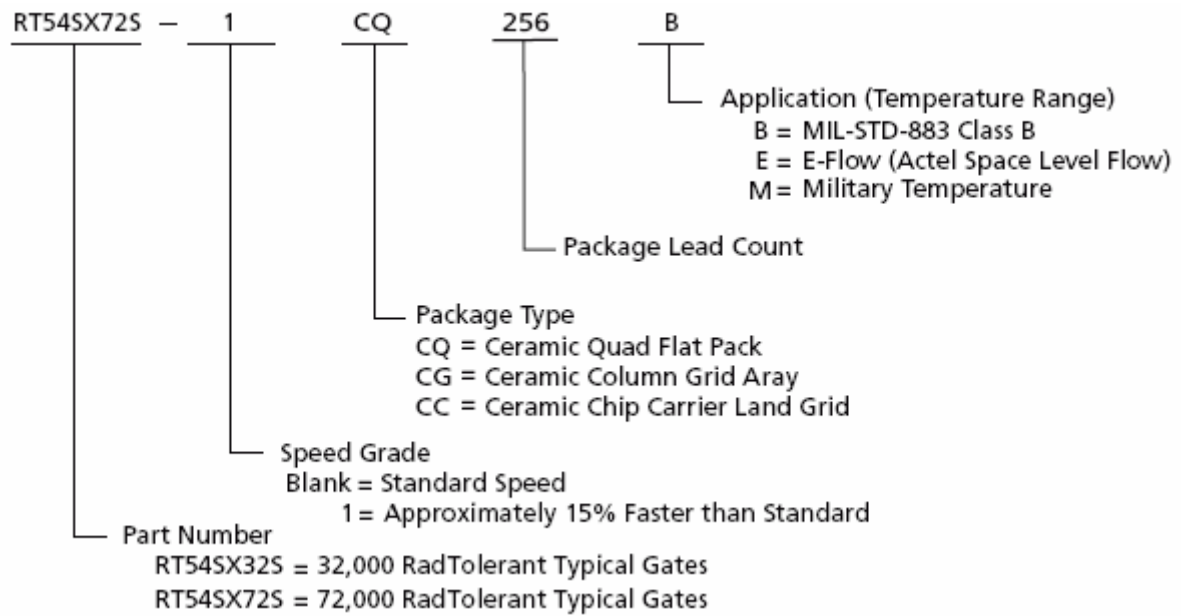
ProASIC3



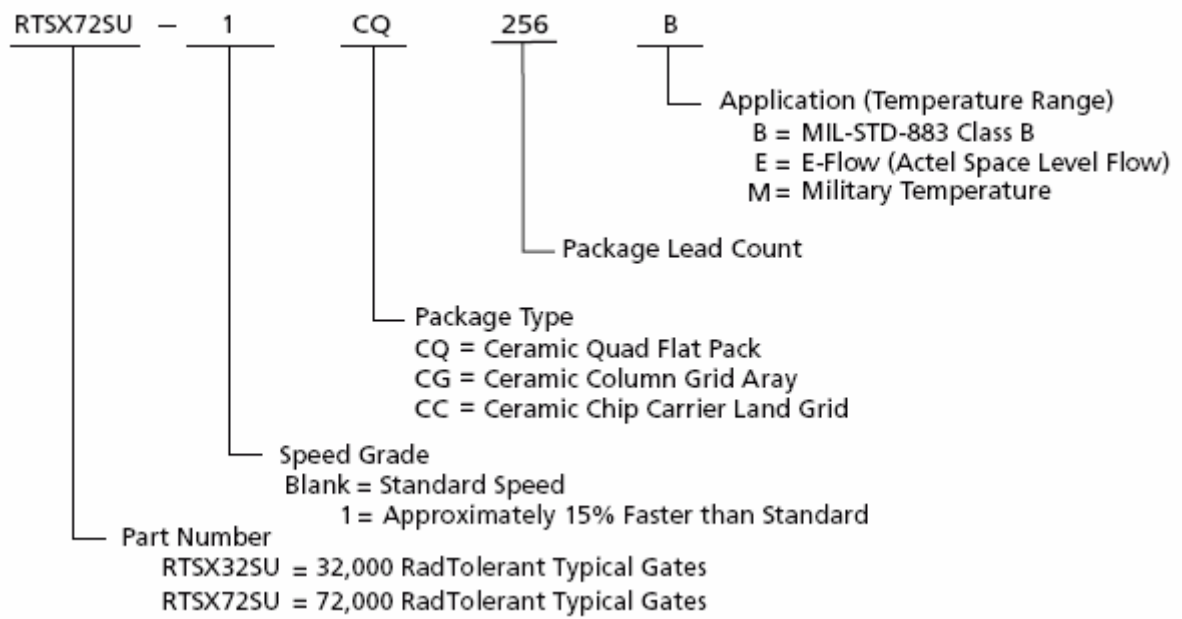
RTAX-S



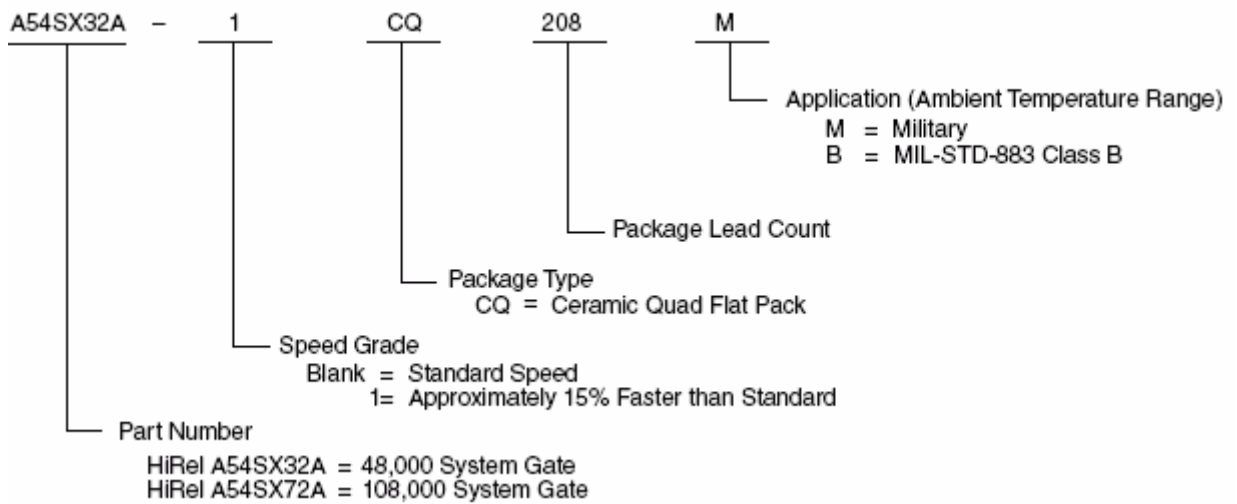
RTSX-S



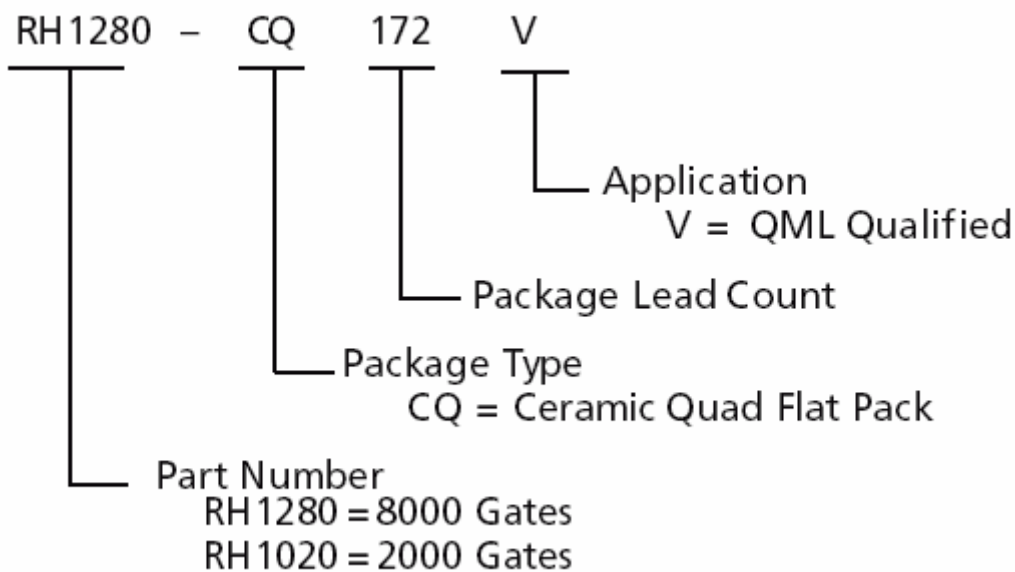
RTSX-SU



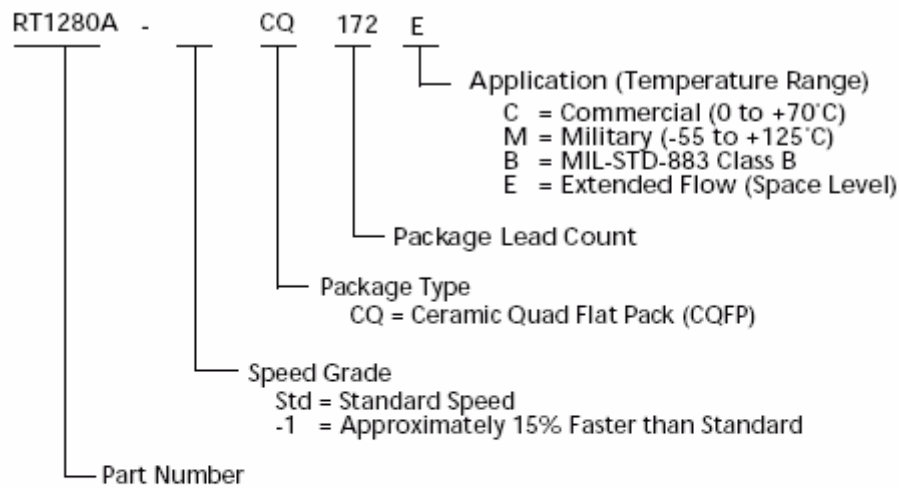
SX-A



RH



RT



- RT1020 = 4,000 Gates—RadTolerant ACT 1
- RT1280A = 16,000 Gates—RadTolerant ACT 2
- RT1425A = 5,000 Gates—RadTolerant ACT 3
- RT1460A = 12,000 Gates—RadTolerant ACT 3
- RT14100A = 20,000 Gates—RadTolerant ACT 3
- A1020B = 4,000 Gates—ACT 1
- A1280A = 16,000 Gates—ACT 2
- A1425A = 5,000 Gates—ACT 3
- A1460A = 12,000 Gates—ACT 3
- A14100A = 20,000 Gates—ACT 3

HiRel

