

Xilinx

Плис фирмы Xilinx типа FPGA

Семейство	Типы корпусов	Пример	
		Обозначение	Исполнение*
Virtex	BG	XCV50-4BG256C	C
		XCV50-4BG256I	I
	FG	XCV50-4FG256C	C
		XCV50-4FG256I	I
	PQ	XCV50-4PQ240C	C
		XCV50-4PQ240I	I
HQ	XCV400-4HQ240C	C	
	XCV400-4HQ240I	I	
TQ	XCV50-4TQ144C	C	
	XCV50-4TQ144I	I	
CS	XCV50-4CS144C	C	
	XCV50-4CS144I	I	
Virtex-II Pro	FG	XC2VP2-5FG256C	C
		XC2VP2-5FG256I	I
FF	XC2VP2-5FF672C	C	
	XC2VP2-5FF672I	I	
Virtex-II Pro X	FF	XC2VPX20-5FF896C	C
		XC2VPX20-5FF896I	I
Virtex-II	CS	XC2V40-4CS144C	C
		XC2V40-4CS144I	I
	FG	XC2V40-4FG256C	C
		XC2V40-4FG256I	I
	FF	XC2V1000-4FF896C	C
		XC2V1000-4FF896I	I
BG	XC2V1000-4BG575C	C	
	XC2V1000-4BG575I	I	
BF	XC2V2000-4BF957C	C	
	XC2V2000-4BF957I	I	
Virtex E	CS	XCV50E-6CS144C	C
		XCV50E-6CS144I	I
	PQ	XCV50E-6PQ240C	C
		XCV50E-6PQ240I	I
	BG	XCV100E-6BG352C	C
		XCV100E-6BG352I	I
FG	XCV50E-6FG256C	C	
	XCV50E-6FG256I	I	
HQ	XCV600E-6HQ240C	C	
	XCV600E-6HQ240I	I	
Virtex 4	SF	XC4VLX25-10SF363CES	C
	SFG		
	FF	XC4VFX12-10FF668CES	C
	FFG		
Spartan	PC	устарел	
	VQ	XCS05-3VQ100C	C
		XCS05-3VQ100I	I
	TQ	XCS20-3TQ144C	C
		XCS20-3TQ144I	I
PQ	XCS20-3PQ208C	C	
	XCS20-3PQ208I	I	
BG	XCS40-3BG256C	C	
Spartan-XL	PC	устарел	

	VQ	XCS05XL-4VQ100C XCS05XL-4VQ100I XCS05XL-4VQ100Q	C I Q
	CS	устарел	
	TQ	XCS20XL-4TQ144C XCS20XL-4TQ144I XCS20XL-4TQ144Q	C I Q
	PQ	XCS20XL-4PQ208C XCS20XL-4PQ208I XCS20XL-4PQ208Q	C I Q
	BG	XCS40XL-4BG256C XCS40XL-4BG256I XCS40XL-4BG256Q	C I Q
Spartan -II	VQ	XC2S15-5VQ100C XC2S15-5VQ100I	C I
	CS	XC2S30-5CS144C XC2S30-5CS144I	C I
	TQ	XC2S15-5TQ144C XC2S15-5TQ144I XC2S15-5TQ144Q	C I Q
	PQ	XC2S100-5PQ208C XC2S100-5PQ208I XC2S100-5PQ208Q	C I Q
	FG	XC2S100-5FG256C XC2S100-5FG256I XC2S100-5FG256Q	C I Q
Spartan -IIE	TQ	XC2S50E-6TQ144C XC2S50E-6TQ144I XC2S50E-6TQ144Q	C I Q
	TQG		
	PQ	XC2S50E-6PQ208C XC2S50E-6PQ208I XC2S50E-6PQ208Q	C I Q
	PQG		
	FT	XC2S50E-6FT256C XC2S50E-6FT256I XC2S50E-6FT256Q	C I Q
	FTG		
	FG	XC2S400E-6FG456C XC2S400E-6FG456I XC2S400E-6FG456Q	C I Q
	FGG		
Spartan -III	VQ	XC3S50-4VQ100C XC3S50-4VQ100I	C I
	VQG		
	CP		
	CPG		
	TQ	XC3S50-4TQ144C XC3S50-4TQ144I	C I
	TQG		
	PQ	XC3S50-4PQ208C XC3S50-4PQ208I	C I
	PQG		
	FT	XC3S200-4FT256C XC3S200-4FT256I	C I
	FTG		
	FG	XC3S400-4FG320C XC3S400-4FG320I	C I
	FGG		

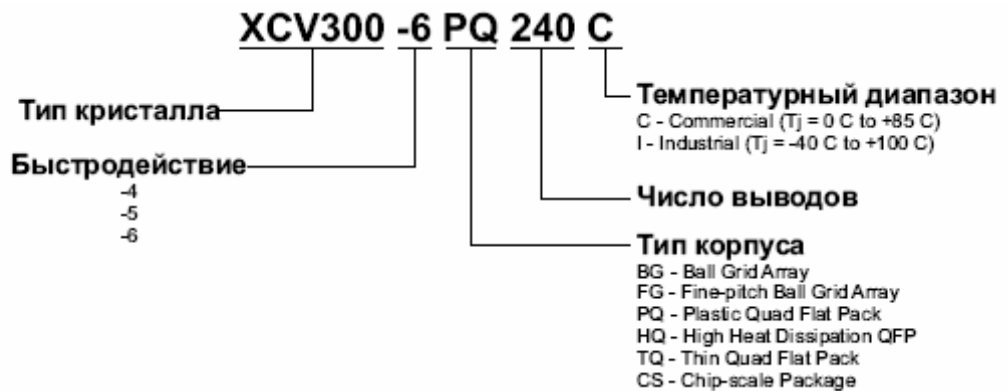
Spartan -III E	VQ	XC3S50-4VQ100C XC3S50-4VQ100I	C I
	VQG		
	CP		
	CPG		
	TQ	XC3S50-4TQ144C XC3S50-4TQ144I	C I
	TQG		
	PQ	XC3S50-4PQ208C XC3S50-4PQ208I	C I
	PQG		
	FT	XC3S200-4FT256C XC3S200-4FT256I	C I
	FTG		
	FG	XC3S400-4FG320C XC3S400-4FG320I	C I
	FGG		

* C – коммерческое исполнение (0–85°C); I – промышленное исполнение (–40–100°C);
Q – для автомобилей (–40–125°C)

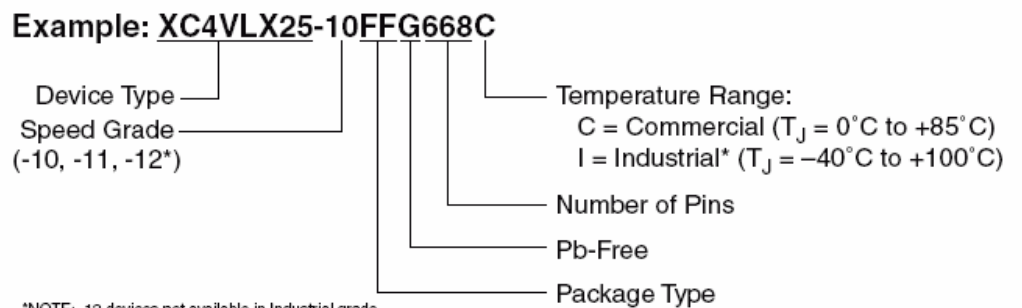
Система обозначений плис фирмы XILINX.

Микросхемы, которые производит Xilinx имеют схожие принципы маркировки. Ниже приведены примеры маркировки микросхем FPGA.

Virtex



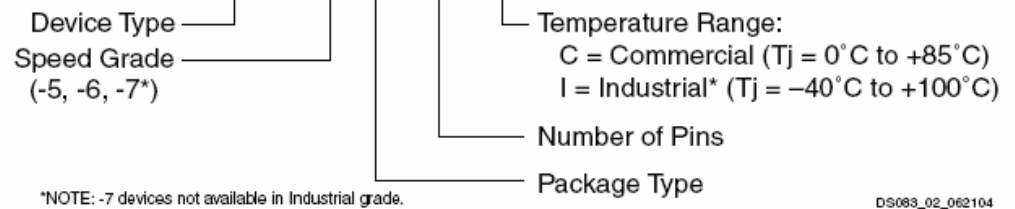
Virtex-4



SF – Flip-Chip Fine-Pitch BGA Package
FF – Flip-Chip Fine-Pitch BGA Package

Virtex-II Pro and Virtex-II Pro X Platform FPGAs:

Example: XC2VP40 -7 FF 1152 C

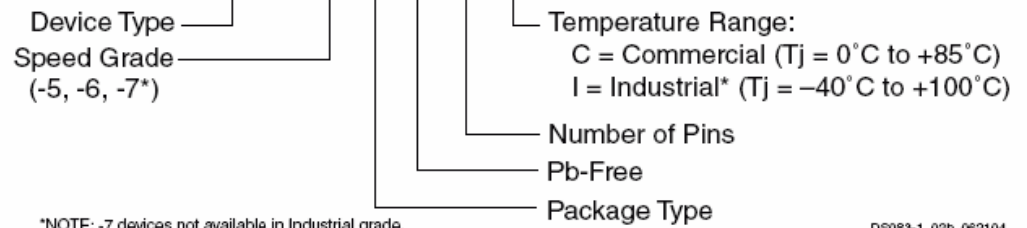


*NOTE: -7 devices not available in Industrial grade.

DS068_02_062104

Figure 1: Virtex-II Pro Ordering Example, Flip-Chip Package

Example: XC2VP40 -6 FG G 676 I



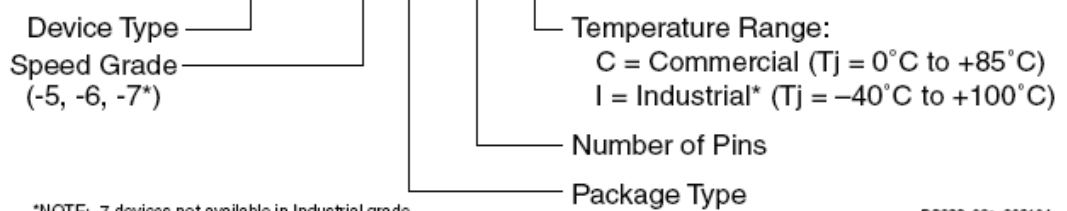
*NOTE: -7 devices not available in Industrial grade.

DS068-1_02b_062104

Figure 2: Virtex-II Pro Ordering Example, Pb-Free Wire-Bond Package

A Virtex-II Pro X ordering example is shown in Figure 3.

Example: XC2VPX70 -7 FF 1704 C



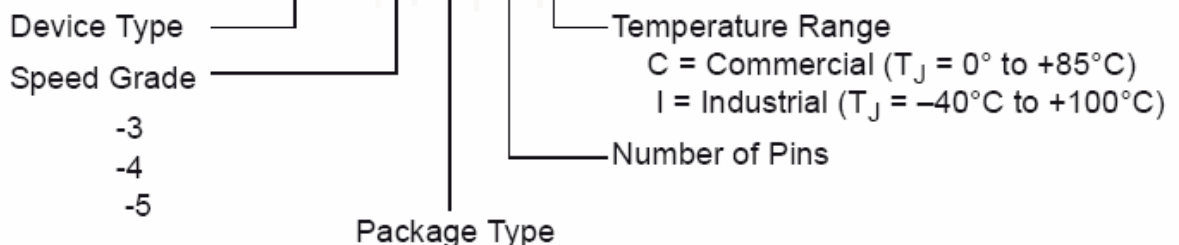
*NOTE: -7 devices not available in Industrial grade.

DS068_02a_062104

Figure 3: Virtex-II Pro X Ordering Example, Flip-Chip Package

Spartan/ Spartan-XL

Example: XCS20XL-4 PQ208C



BG = Ball Grid Array

VQ = Very Thin Quad Flat Pack

PC = Plastic Lead Chip Carrier

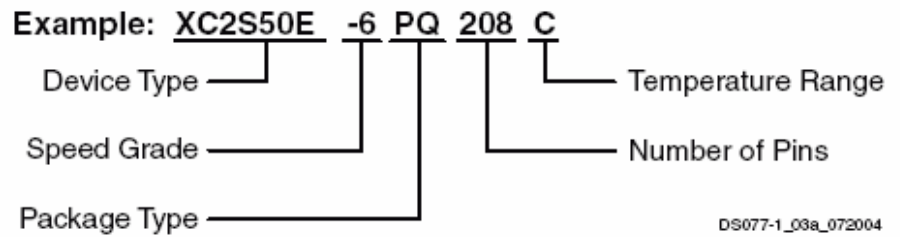
TQ = Thin Quad Flat Pack

PQ = Plastic Quad Flat Pack

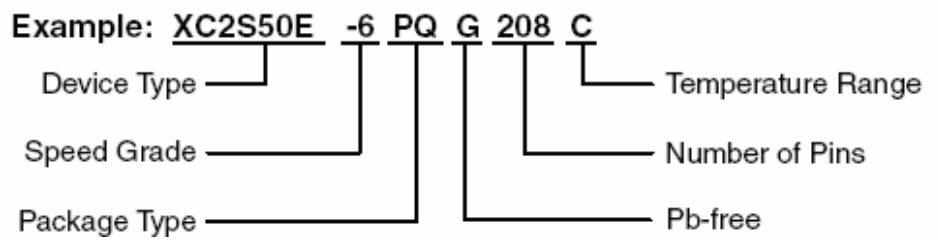
CS = Chip Scale

Spartan-II

Standard Packaging

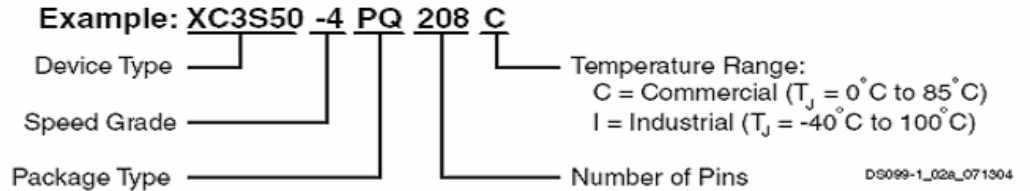


Pb-Free Packaging

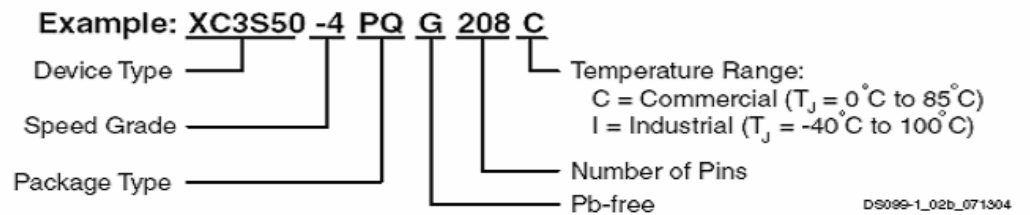


Spartan-III

Standard Packaging



Pb-Free Packaging



Плис фирмы XILINX типа CPLD

Семейство CPLD	Типы корпусов	Пример	
		Обозначение	Исполнение*
CoolRunner™-	PC	XC2C32-6PC44C	C
		XC2C32-6PC44I	I

II CPLDs	PCG		
	VQ	XC2C64-7VQ44C XC2C64-7VQ44I XC2C64-7VQ44Q	C I Q
	VQG		
	CP	XC2C32-6CP56C XC2C32-6CP56I	C I
	CPG		
	TQ	XC2C128-7TQ144C XC2C128-7TQ144I	C I
	TQG		
	PQ	XC2C384-10PQ208C XC2C384-10PQ208I	C I
	PQG		
	FT	XC2C256-7FT256C XC2C256-7FT256I	C I
	FTG		
	FG	XC2C384-10FG324C XC2C384-10FG324I	C I
	FGG		
	CoolRunner XPLA3	PC	XCR3032XL-10PC44C XCR3032XL-10PC44I
CP		XCR3032XL-7PC44C XCR3032XL-7PC44I	C I
VQ		XCR3032XL-10VQ44C XCR3032XL-10VQ44I XCR3032XL-10VQ44Q	C I Q
CS		XCR3256XL-10CS280C XCR3256XL-10CS280I	C I
TQ		XCR3256XL-12TQ144C XCR3256XL-12TQ144I XCR3256XL-12TQ144Q	C I Q
PQ		XCR3256XL-12PQ208C XCR3256XL-12PQ208I XCR3256XL-12PQ208Q	C I Q
FT		XCR3512XL-10FT256C XCR3512XL-10FT256I	C I
FG		XCR3512XL-10FG324C XCR3512XL-10FG324I	C I
XC9500XV	PC	XC9536XV-7PC44C XC9536XV-7PC44I	C I
	VQ	XC9536XV-7VQ44C XC9536XV-7VQ44I	C I
	CS	XC9536XV-7CS48C XC9536XV-7CS48I	C I
	TQ	XC9572XV-7TQ100C XC9572XV-7TQ100I	C I
	PQ	XC9572XV-7VQ44C XC9572XV-7VQ44I	C I
	FG	XC95288XV-10FG256C XC95288XV-10FG256I	C I
XC9500XL	PC	XC9536XL-10PC44C XC9536XL-10PC44I	C I
	PCG		
	VQ	XC9536XL-10VQ44C XC9536XL-10VQ44I XC9536XL-10VQ44Q	C I Q
	VQG		
	CS	XC9536XL-10CS48C	C

		XC9536XL-10CS48I	I
	CSG		
	TQ	XC9572XL-10TQ100C XC9572XL-10TQ100I XC9572XL-10TQ100Q	C I Q
	TQG		
	PQ	XC95288XL-10PQ208C XC95288XL-10PQ208I	C I
	PQG		
	BG	XC95288XL-10BG256C XC95288XL-10BG256I	C I
	BGG		
	FG	XC95288XL-10FG256C XC95288XL-10FG256I	C I
	FGG		
XC9500	VQ	XC9536-15VQ44C XC9536-15VQ44I XC9536-15VQ44Q	C I Q
	PC	XC9536-10PC44C XC9536-10PC44I	C I
	CS	XC9536-10CS48C	C
	TQ	XC9572-15TQ100C XC9572-15TQ100I XC9572-15TQ100Q	C I Q
	PQ	XC9572-10PQ100C XC9572-10PQ100I	C I
	HQ	XC95216-10HQ208C XC95216-10HQ208I	C I
	BG	XC95216-10BG352C XC95216-10BG352I	C I

* C – коммерческое исполнение (0-85°C); I – промышленное исполнение (-40-100°C);

Q – для автомобилей (-40 -125°C)

- Тип корпуса

BG - Ball Grid Array

FG - Fine-pitch Ball Grid Array

PQ - Plastic Quad Flat Pack

HQ - High Heat Dissipation QFP

TQ - Thin Quad Flat Pack

CS - Chip-scale Package