

# MINING VENTILATION CONTROL: A NEW INDUSTRIAL CASE FOR WIRELESS AUTOMATION

E. Witrant<sup>1</sup>, A. D’Innocenzo<sup>2</sup>, A.J. Isaksson<sup>3</sup>, M. D. Di Benedetto<sup>2</sup>,  
K. H. Johansson<sup>4</sup>, F. Santucci<sup>2</sup> and M. Strand<sup>3,\*</sup>

## Abstract

*This paper serves as an introduction to Special Session on Ventilation Control in Large-Scale Systems. We describe a new industrial case on wireless automation, for a large scale system with high environmental impact: the mining ventilation. We do not pretend to solve the global control problem but rather propose a novel approach based on distributed sensing/actuation capabilities, which can be allowed by the installation of an heterogeneous network in the underground process. Several key issues, such as the centralized vs. decentralized control, the macroscopic physical models for the main components and the network structure, are introduced to motivate future research along this line. We particularly highlight new grounds for the development of global control strategies that would allow for the energy consumption optimization of this large-scale system. Specific technical details along this line are presented in the companion papers [1, 2, 3, 4]*

## 1. Introduction

Mining ventilation is an interesting example of a large scale system with high environmental impact where advanced control strategies can bring major improvements. Indeed, one of the first objectives of modern mining industry is to fulfill ecological specifications [5] during the ore extraction and ore crushing, by optimizing the energy consumption or the production of polluting agents. The mine electric consumption was

4 % of total industrial electric demand in the US in 1994 (6 % in 2007 in South Africa) and 90 % of it was related to motor system energy [6] (p.19). Another interesting figure is given in [7] where it is estimated that the savings associated with global control strategies for fluid systems (pumps, fans and compressors) represent 22.20 % of the total manufacturing motor system energy savings. This motivates the development of new control strategies for large scale aerodynamic processes based on appropriate automation and the consideration of the global system. More specifically, the approach presented in this paper is focused on the mining ventilation, as 50 % of the energy consumed by the mining process goes into the ventilation (including heating the air). It is clear that investigating automatic control solutions and minimizing the amount of pumped air to save energy consumption (proportional to the cube of airflow quantity [8]) is of great environmental and industrial interest.

Our approach strongly relies on distributed sensing and actuation capabilities. Traditionally, industrial control systems have relied on hardwired information flows between sensor, actuator and control nodes. Over the last decades, distributed control systems have seen a transition to communication buses, such as fieldbus and Ethernet technology, and there is currently a drive to take the next step in this evolution by moving to wireless communication. Reconfigurability and wireless communication are key automation components for advanced mining ventilation control. The first issue is related to the variable topology of the mine (mobile process industry): after all accessible ore has been retrieved from a mine level, the extraction rooms are filled and a new level further down along the decline (which is a spiraling tunnel used by the trucks to reach the surface) is bored. All equipments, including the ventilation, have to be moved and re-configured in the new level. The second issue comes from the blasting and drilling operations in the extraction rooms, rendering the wiring infeasible in these areas. Wireless networks can also be used for improving the efficiency of other processes

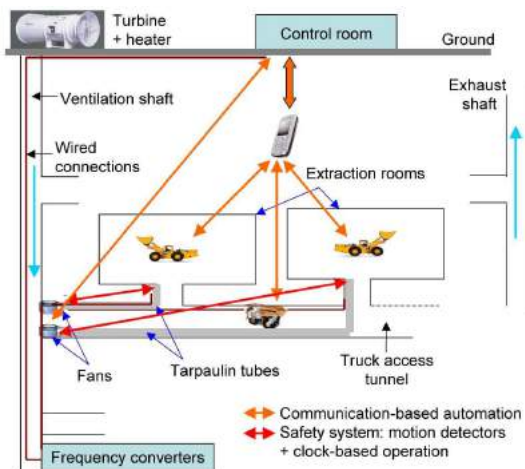
---

\*The authors are with <sup>1</sup> Université Joseph Fourier / GIPSA-lab, Grenoble, France, <sup>2</sup> University of L’Aquila, L’Aquila, Italy, <sup>3</sup> ABB, Vasterås, Sweden, <sup>4</sup> KTH, Stockholm, Sweden. The corresponding author email is emmanuel.witrant@gipsa-lab.inpg.fr. This work has been supported in part by the European Commission through the projects HYCON and SOCRATES, the Swedish Agency for Innovation Systems via the Nordite project VISA, the Swedish Research Council and the Swedish Foundation for Strategic Research.

that are of importance in operating a mine, e.g., equipment (trucks and ventilation system) maintenance, people and equipment localization, voice communication and security.

The paper is organized as follows. The first section describes the mining ventilation process, actual automation and control objectives. In Section 3, we propose a new wireless automation architecture, which highlights the interest for model-based control using distributed measurements. This architecture naturally motivates the physical description of the airflow and the network architecture presented in sections 4 and 5.

## 2. Actual automation process and control objectives



**Figure 1. Mine ventilation process and actual automation.**

Mining ventilation is an active field of scientific research [8], mainly focused on equipment design according to operation specifications [9] or complex ventilation network topology [10]. A few works propose detailed mathematical modeling of the flows for extraction rooms [11] or underground shafts [12, 13] but, to the best of the authors' knowledge, dedicated models for real-time operation and ventilation control have not been studied yet. This is illustrated by the simplicity of the actual automation process presented in this section and further research along this line is motivated by the definition of new control objectives.

### 2.1. Vertical shaft and rooms ventilation

The global mine configuration is illustrated in Fig. 1. The ventilation is first achieved by a turbine and a

heater connected on the surface to a vertical shaft. The heater is introduced (in winter time at least) to avoid freezing in the upper part of the shaft and the air is cooled down at high depths (more than 1000 meters) because of the geothermal effect (the temperature is increased by  $1^{\circ}\text{C}$  every 30 m). We will refer to this part of the system as the *primary system*. From the ventilation shaft, fans located at each extraction level pump fresh air to the extraction rooms via tarpaulin tubes: this is the *secondary system*. Bad quality air naturally flows because of the pressure gradient from the extraction rooms back into the decline and to the exhaust ventilation shaft (similar but separate from the primary ventilation shaft).

The distinction between primary and secondary systems will be used in the following sections to divide the control problems. In fact, the primary system typically has a clear geometry while the secondary system is strongly varying in geometry (rooms are blasted every day), characteristics (tarpaulin tube length and shape) and disturbances (trucks) even within the same mine. Model-based control approaches can then be envisioned for the primary system while grey-box identification or more empirical methods should be preferred for the secondary one.

### 2.2. Today's automation architecture

In the actual architecture, the turbine is operated based on the flow pressure gradient and the heating depends on the external temperature. The system of fans is controlled based on the demand of airflow in different parts of the mine thanks to frequency converters, as presented in Fig. 1. This demand is determined based on messages sent by the drivers to the control room using walkie-talkies, indicating their position (no automatic control, but maximum ventilation power during ore extraction) and which fan needs to be set to its maximum speed. Both turbine and fans are at least operated at low speed (no automatic localization system within the mine). There may also be an additional safety system that triggers the fan high-speed operation based on a motion detector placed at the room's entrance. The actual control architecture is then characterized by the absence of wireless sensing or continuous monitoring of air quality.

### 2.3. Control objectives

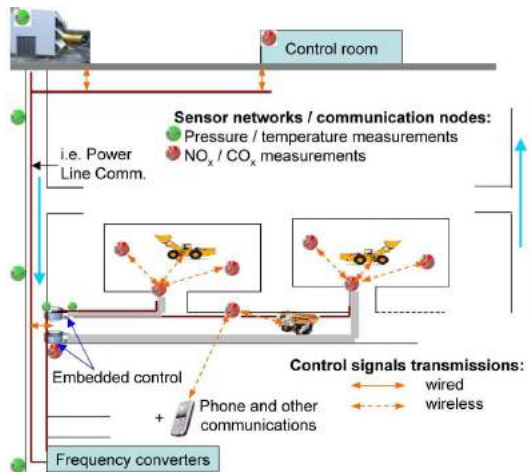
The overall objective of the mining ventilation control system is to provide for good air quality in the extraction rooms. For a future wireless automation supporting the ventilation control, it is also desirable to increase safety by using the wireless system for personal

communication and localization. We specify the objective as the *control of air quality* ( $O_2$ ,  $NO_x$  and/or  $CO_x$ ) in the extraction rooms at different levels. Considering the distinction between the primary and secondary systems defined above, it is then suitable to fulfill a cascade control configuration with the following two objectives:

1. regulate the turbine and heater based on physical measurements within the vertical shaft to provide for a suitable airflow pressure at the location of the fans;
2. regulate the ventilation fans based on chemical sensors to ensure air quality in extraction rooms.

An additional system objective is to obtain *safety through wireless networking* for personal communication and localization. It should be noted that today's control architecture does not enable the fulfillment of these objectives, due to the lack of automatic control and sensing capabilities. The proposed wireless control architecture strives for fulfilling all the objectives listed above.

### 3. Proposed wireless control architecture



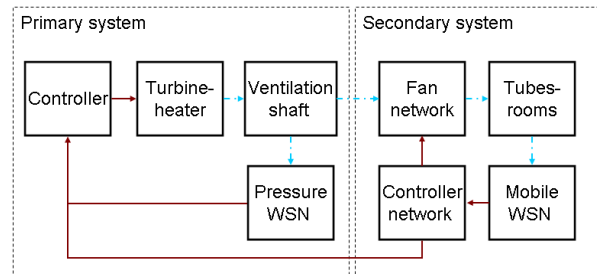
**Figure 2. Proposed communication architecture.**

The proposed automation architecture is depicted in Fig. 2, where we introduced networked sensors in the vertical ventilation shaft, in access tunnels and in the extraction rooms. The sensors placed in the vertical shaft and in the access tunnels can make use of the existing wired connections, while those in the extraction rooms have to be wireless, due to the blasting activities. The exchange of sensor measurements and control signals can then be carried thanks to wired links as well as

wireless communication. We can consider two control architectures:

1. a *centralized* strategy, where all the sensor signals are transmitted to the control room, where the control algorithms are run. This strategy allows for the global optimization of the energy consumption, at the price of a communication load due to the transmission of the control signals between the surface and the fans;
2. a *decentralized* approach, where some intelligence is embedded at the locations of the fans and can adjust their regulation directly based on the chemical sensors measurements. This regulation is structurally sub-optimal but should be preferred as a first approach for its simplicity and the limited communication constraints.

Note that the control algorithm embedded at the fans location has to be relatively simple, due to the limited computation capabilities, while we can develop more advanced control strategies for the algorithms run in the control room.



**Figure 3. Block diagram description of the control setup, including communications (—) and airflows (---).**

Based on the decentralized control approach, the ventilation system can be described in two parts: one fixed installation, which is the primary air supply from the ground via a vertical shaft, and the secondary system, a mobile network of fans. This distinction results in the block diagram description proposed in Fig. 3, where both the physical (airflow) and communication (wired and wireless) interconnections are presented. This description includes the existing systems as well as key elements of the advanced technological solutions presented in this paper. The different subsystems are detailed in the next section.

## 4. Physical description of the airflow

Extraction rooms ventilation is increased by increasing either the turbine or the fans actuation. The first solution is associated with energy losses due to the turbulent behavior of the flow in the vertical shaft while in the second case energy is lost in the tarpaulin tubes. The turbine and fans efficiency also has an important role. A major difficulty from an optimal control point of view, which motivates the physical description proposed in this section, is then to find the distribution of the energy spent in the actuation that maximizes the rooms ventilation.

### 4.1. Flow in the primary system

The flow dynamics of the primary system are governed by the Navier-Stokes equations, including the compressibility, viscous losses and thermodynamic effects, due to the large mass flow rate and the length of the shaft considered. The exogenous inputs are the surface boundary conditions (set by the heater and turbine) and the vertical shaft has to provide the fans with an appropriate flow pressure, which is then the regulated output. The geometry of the shaft is well known, which implies that we can determine a precise associated physical flow model. Depending on the desired precision level, *potential*, Euler or Navier-Stokes equations can be used. A pedagogical description of the flow aerodynamics and related computational aspects is available in [14]. For example, the following conservative form of the Navier-Stokes (NS) equations can be used to describe the primary system

$$\frac{\partial}{\partial t} \begin{bmatrix} \rho \\ \rho \mathbf{V} \\ \rho E \end{bmatrix} + \nabla \cdot \begin{bmatrix} \rho \mathbf{V} \\ \rho \mathbf{V}^T \otimes \mathbf{V} + p \mathbf{I} - \boldsymbol{\tau} \\ \rho \mathbf{V} H - \boldsymbol{\tau} \cdot \mathbf{V} - k \nabla T \end{bmatrix} = \begin{bmatrix} 0 \\ 0 \\ \dot{q} \end{bmatrix}$$

where  $\rho$ ,  $\mathbf{V}$ ,  $p$  and  $T$  are the density, velocity vector, pressure and temperature,  $\otimes$  is the tensor product of two vectors,  $\boldsymbol{\tau}$  is the shear stress vector (which depends on the velocity gradient),  $H = E + p/\rho$  is the total enthalpy,  $E$  is the total energy per unit mass,  $k$  is the thermal conductivity and  $\dot{q}$  is the incoming heat flux. Note that specific care has to be taken in the discretization of the partial differential equations, due to the associated computational complexity and nonlinearities in the dynamics.

The airflow in the vertical shaft is mainly turbulent, implying that *Direct Numerical Simulation* should be used to solve the time-dependent NS equations. However, this method is typically out of reach for industrial applications and approximate methods, such as *Large Eddy Simulation*, *Reynolds Averaged Navier-Stokes* or

*Thin Shear Layer Approximation*, should be preferred [14]. Advanced model-based control strategies then have to be preceded with appropriate model simplification and real-time computation analysis, as presented in [2].

### 4.2. Flow and pollutants in the secondary system

The description of the flow and pollutants in the secondary system is greatly simplified due to the uncertainties previously mentioned, induced by the complexity of the chemical processes and by the variable geometry of the rooms. Indeed, precise physical description would not be relevant in that case and we will focus on a functional model of the flow chemical properties. The airflow in the tarpaulin tubes is considered inviscid, incompressible and adiabatic, and can then be considered as a time-delay  $\tau_{tarp}$  (the time needed for a change of the mass flow rate due a modification in the fan actuation to reach the extraction room). The pollutant ( $CO_x$  or  $NO_x$ ) volumic tarpaulin concentration profile  $c(z, t)$  (mainly set by the gas buoyancy and resulting in a stratification of bad quality air at the ceiling), where  $z \in [0; h_{room}]$  is the height in the extraction room,  $h_{room}$  is the room height and  $t$  is the time, is approximated with the sigmoid distribution

$$c(z, t) = \frac{\alpha(t)}{1 + e^{-\beta(t)(z-\gamma(t))}}$$

where  $\alpha(t)$  is the amplitude,  $\beta(t)$  is the dilatation and  $\gamma(t)$  is the inflection point of the distribution.

The shape parameters  $\alpha$ ,  $\beta$ ,  $\gamma$  can be related to the global parameters (room temperature and pressure, number of trucks and engines power, etc.) with an appropriate identification method and the dynamics can be introduced with the global conservation of mass

$$V \frac{dC(h_{room}, t)}{dt} = \dot{m}_{in} - C(h_{door}, t) S_{tarp} v u_{fan} (t - \tau_{tarp})$$

where  $V$  is the room volume,  $C(h, t) \doteq 1/h \int_0^h c(z, t) dz$  is the volume averaged concentration up to the height  $h$ ,  $\dot{m}_{in}$  is the incoming pollutant mass rate due to the engines (we neglect human contribution) given by appropriate specifications,  $h_{door}$  is the height of the room door,  $S_{tarp}$  is the cross section of the tarpaulin tube and  $u_{fan}$  is the airflow speed provided by the fan, scaled by a constant  $v$  (flow momentum losses due to the tube geometry). We supposed here that there is no pollutant in the tarpaulin tube and that the flow in the room is incompressible.

The main advantage of this model is first associated with the use of shape parameters, allowing for on-line

identification methods that are not affected by the fact that a sensor network provides for measurements at different locations at each sampling time. Furthermore, the fact that the regulated output (i.e. the height of the bad quality air layer  $h_r$ , which should be kept above the engines and humans level) is a scalar directly provided by  $c(h_r, t)$ . This topic is detailed in [3, 1]

### 4.3. Interconnection and actuation

In the ventilation system architecture described above interconnection issues clearly arise: the *turbine* and *heater* interconnect the atmosphere with the primary ventilation shaft, while the *secondary fans* interconnect the primary ventilation shaft to the extraction rooms via the tarpaulin tubes. Moreover, turbine, heater and secondary fans are the main actuation devices for the mining ventilation process. Consistently with the description of the flows, the physical variables that take part in the interconnections are air pressure, temperature, density and gas concentration. Their mathematical models cannot be easily formalized by a general differential equation, but the data sheet of the commercial devices can be used to derive an approximation of the dynamical behavior of the system. As an example, consider a secondary fan. Let  $P$  be the air pressure upstream to the fan (in the primary ventilation shaft),  $u_{fan}$  the airflow downstream to the fan,  $\Delta H$  the fan static pressure and  $\dot{\theta}$  the fan speed (our control variable). Technical fan data sheets (such as Fig. 4 in [9]) relates the fan static pressure  $\Delta H$  to  $u_{fan}$  for different values of the fan speed  $\dot{\theta}$ . The air pressure  $P$  in the primary ventilation shaft affects the fan performance curves by increasing  $u_{fan}$  for a given  $\dot{\theta}$ . If we assume that in the proximity of the fan the air temperature is constant and the airflow is incompressible, the airflow is only due to pressure difference and added energy (through  $\dot{\theta}$ ), and the interconnection writes as

$$u_{fan} = f(P, \Delta H^{-1}, \dot{\theta})$$

where  $f(\cdot)$  is the technical mapping and  $\Delta H^{-1}$  expresses the inverse proportionality relationship.

## 5. Sensors and communication network

The sensor and communication network is primarily intended to provide support for exchange of measurements and commands among various elements of the ventilation control system. Nevertheless, once the feasibility of the whole networked control system will have been assessed and the related benefits will have been appreciated, the network can evolve in order to provide support for advanced services, such as phone calls, regular tracking of people and trucks in a poten-

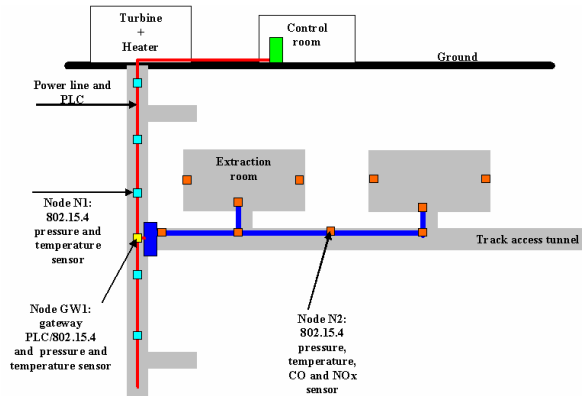
tially dangerous environment through localization and advanced sensing (e.g. video), and others.

### 5.1. Basic architecture

The basic architecture includes fixed wireless sensor nodes along the vertical shaft in the primary system and mobile wireless sensor nodes in the secondary system. Operation of the latter nodes is of major interest when trucks are working within the extraction rooms. This sensing (lower tier) network has to be complemented by a communication network portion, which is in charge of delivering information over longer ranges, up to controllers and actuators. As more opportunities can be considered in this regard, the following two alternatives can be here envisaged.

**5.1.1. Uniform radio technology.** Let us assume that the same radio technology (e.g. IEEE 802.15.4) is used in the whole system, both in the lower (sensing) tier and in the interconnection portion. In this case interaction with the existing mining infrastructure is minimal and we can devise two major patches of nodes: one for the primary system, which appears as an ad-hoc multi-hop network with fixed topology, and one for the secondary system, which appears as an ad-hoc multi-hop network with partially varying topology. Topology variation (movements of trucks and, on a longer time scale, mining reconfiguration) induces an impact in the scalability of solutions, since a larger size implies larger number of hops, longer delays and larger traffic to be supported by relaying nodes. Finally, it should be pointed out that in this architecture the mobile nodes might not be subjected to severe energy constrained operations, since they can either rely on local power generation mechanisms or be maintained on ground level. On the contrary, the nodes deployed on the tunnel sides might be battery powered or provided with energy scavenging, but not able to benefit from typical recharge facilities.

**5.1.2. Hybrid wired-wireless architecture.** Since the whole system setup foresees the presence of some cabling, e.g. for power delivery to fans along the primary system, and for connecting entrance detectors in rooms in the secondary system, it seems interesting to investigate exploitation of power line communication (PLC) devices for setting up the interconnection network. This scenario is implicitly accounted for in Fig. 4, which depicts a hybrid wired-wireless architecture with proper gateways at the interfaces between network segments operating with different technologies.



**Figure 4. Sketch of the basic network architecture.**

## 5.2. Advanced architecture with heterogeneous radio technology.

A more advanced solution relies on a heterogeneous radio technology, by introducing e.g. IEEE 802.11 in ad-hoc version in order to provide larger bandwidths and longer hop-ranges in the wireless relaying part of the secondary system. This kind of architecture resorts on the fact that mobile entities can be considered as non energy-constrained and are then able to support power expensive wireless radio technologies. This solution explicitly accounts for the presence of mobile gateways and introduces shorter-term topology variation also in the interconnection portion of the wireless network deployed in the secondary system. Specific issues associated with the communication network design are presented in [4]. The impact of such network on the closed-loop setup has been investigated, from a control point of view, in [15].

## Conclusions

In this work, we presented *mining ventilation control* as a novel industrial case for wireless automation, where the energy consumption minimization is motivated by environmental and economical issues. This optimization objective, associated with safety requirements, led to the definition of a new automation architecture, based on a global control approach and the use of distributed sensing and actuation capabilities. The physical model and network architecture were consequently described, to introduce the necessary background for model-based control approaches and the use of wireless sensing capabilities.

## References

- [1] M. Di Benedetto, A. D’Innocenzo, E. Serra, and E. Witrant, “Automatic verification of wireless control in a mining ventilation system,” in *Proc. of the IEEE Conference on Automation Science and Engineering (CASE 2008)*, Washington DC, USA, Aug. 2008.
- [2] E. Witrant, K. Johansson, and the HynX team, “Air flow modelling in deep wells: application to mining ventilation,” in *IEEE CASE*, 2008.
- [3] G. Sandou, E. Witrant, S. Olaru, and S. Niculescu, “Receding horizon climate control in metal mine extraction rooms,” in *IEEE CASE*, 2008.
- [4] L. Pomante, F. Santucci, C. Rinaldi, S. Tennina, and C. Fischione, “Mining ventilation automation: Wireless sensing, communication architecture and advanced services,” in *IEEE CASE*, 2008.
- [5] C. van der Merwe, “Mining industry challenged to cut energy consumption 15 % by 2015,” *Mining weekly online*, 1 Jun 2007.
- [6] X. Inc., “United states industrial electric motor systems market opportunities assessment,” Office of energy efficiency and renewable energy, U.S. Department of Energy, Tech. Rep., 1998.
- [7] P. E. Scheihing, M. Rosenberg, M. Olszewski, C. Cockrill, and J. Oliver, “United states industrial motor-driven systems market assessment: Charting a roadmap to energy savings for industry,” in *International Workshop on Industrial Energy Efficiency Policies: Understanding Success and Failure*, Utrecht, Jun. 1998.
- [8] H. L. Hartman and J. M. Mutmansky, R. V. Ramani, and Y. J. Wang, *Mine Ventilation and Air Conditioning*, 3<sup>rd</sup> ed. Wiley-Interscience, Oct. 1997.
- [9] E. Widzyk-Capehart and B. Watson, “Agnew gold mine expansion mine ventilation evaluation using VentSim,” in *Proc. of the 7<sup>th</sup> International Mine Ventilation Congress (IMVC)*, 2001.
- [10] E. Widzyk-Capehart and C. Fawcett, “Life of mine ventilation requirements for Bronzewing mine using VentSim,” in *IMVC*, 2001.
- [11] G. Kalabin, A. Baklanov, and P. Amosov, “Calculating the aerogas dynamics of chamber-like mine workings on the basis of mathematical modeling,” *Journal of Mining Science*, vol. 26(1), pp. 61–73, 1990.
- [12] N. Petrov, M. Shishkin, V. Dnitriev, and V. Shadrin, “Modeling mine aerology problems,” *Journal of Mining Science*, vol. 28(2), pp. 185–191, 1992.
- [13] N. Petrov, “Methods of solving problems and designing equipment for mine ventilation,” *Journal of Mining Science*, vol. 30(2), pp. 195–204, 1994.
- [14] C. Hirsch, *Numerical Computation of Internal & External Flows: the Fundamentals of Computational Fluid Dynamics*, 2<sup>nd</sup> ed. Butterworth-Heinemann (Elsevier), 2007.
- [15] E. Witrant, P. G. Park, M. Johansson, K. Johansson, and C. Fischione, “Control over wireless multi-hop networks,” in *Proc. of the IEEE Conf. on Control Applic.*, 2007.